

6XUIDFH 0RXQW)ODW 6FKRWWN\ %U

Features

0HFKDQLFDO 'DWH
 ‡&DVH 0%) 0ROGHG SODVWLF ERG\ P
 6FKRWWN\ EDUULHU FKLSV
 ‡7HUPLQDOV 6ROGHU SODWHG VRO
 -(6' %

0D[LPXP 5DWLQJV DQG (OHFWULFDO FKDUDFWHULVWLFV

5DWLQJV DW q& DPELHQW WHPSHUDWXUH XQOHVV RWKHUZLVH VSHFLILHG
 6LQJOH SKDVH KDOI ZDYH +] UHVLVWLYH RU LQGXFWLYH ORDG IRU FDSLWLY

3DUDPHWHU	6\PEROV	8QLWV
0D[LPXP 5HSHWLWLYH 3HDN 5HYHUVH 9ROWDJH	9 ₅₀₆	9
0D[LPXP 506 YROWDJH	9 ₅₀₆	9
0D[LPXP '& %ORFNLQJ 9ROWDJH 9&	9&	9
\$YHUDJH 5HFWLILHG 2XWSXW &XUHQW	&XUHQW	\$
3HDN)RUZDUG 6XUJH &XUHQW PV 6LQJOH +DOI 6LQH :DYH 6XSHULPSRVHG RQ 5DWHG /RDG -('(& 0HWKRG	5DWHG /RDG	\$
0D[LPXP)RUZDUG 9ROWDJH DW 9,	9,	9
0D[LPXP '& 5HYHUVH &75LILHG @& DW 5DWHG '& %ORFNLQJ 9ROWDJH	&75LILHG @&	P\$
:NKXSGR XKYOYZGTIK LXUS P[TIZOUT ZU GSHOKTZ VKX RKM		
2SHUDWLQJ DQG 6WRUDJH 7HPSTUDWXUH 5DQJH a	7HPSTUDWXUH	°&

.0%) 5HY

: RU,CGWHU Q&WLDLWUHG&SHFLIL

RATINGS AND CHARACTERISTICS CURVES 7\$ ° & XQOHVV RWKHUZZLVH QRWHG

Fig.1 Forward Current Derating Curve

Fig.2 Maximum Non-Repetitive Peak

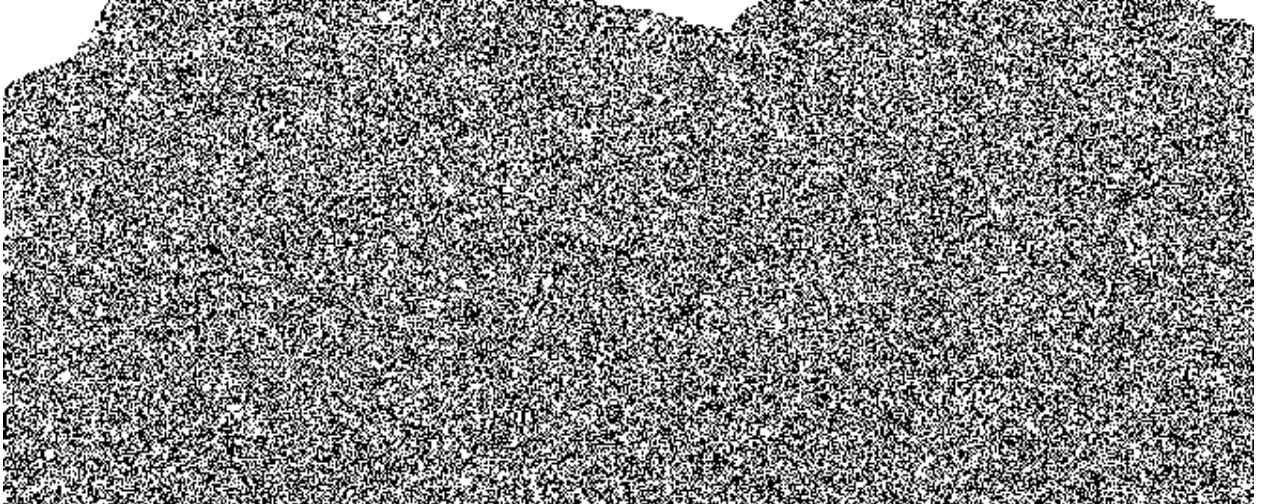
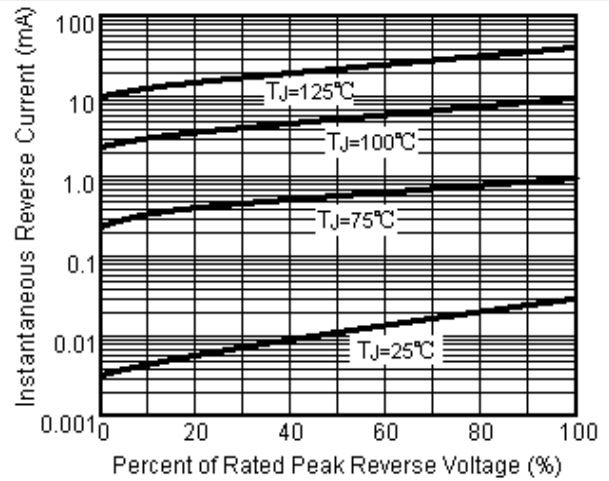
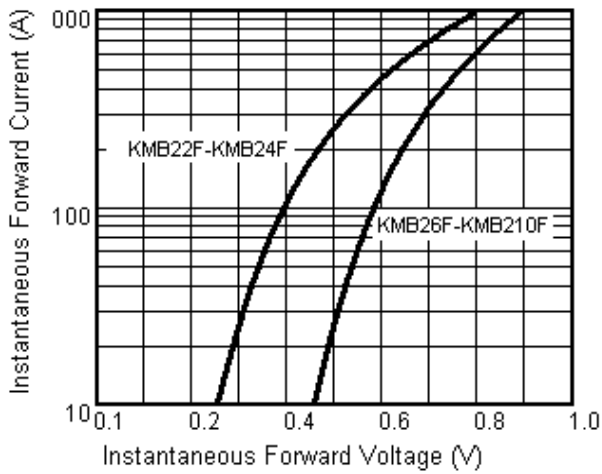
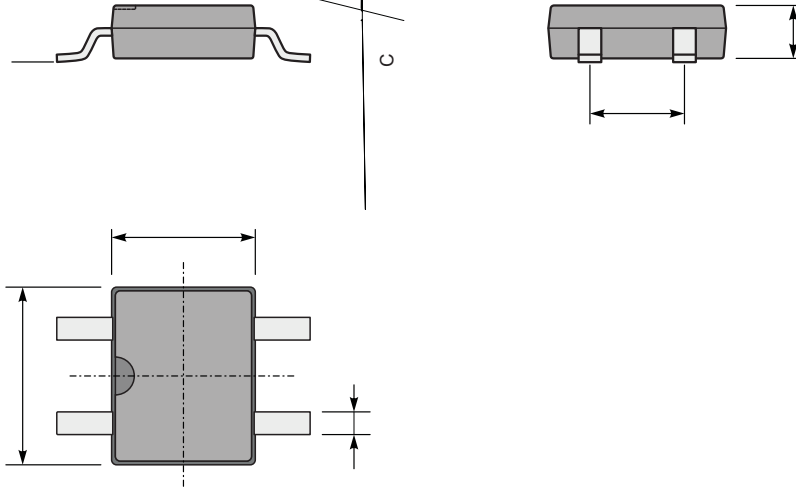


Fig.3 Typical Instantaneous Forward Characteristics

Fig.4 Typical Reverse Characteristics



PACKAGE OUTLINE DIMENSIONS



MBF mechanical data

UNIT		A	C	D	E	H _E	d	e	L	L ₁	a
mm	max	1.6	0.22	5.0	4.1	7.0	2.7	0.8			7°
	min	1.2	0.15	4.5	3.6	6.4	2.3	0.5			
mil	max	63	8.7	197	161	276	106	31			
	min	47	5.9	177	142	252	91	20			